

**TAVOLO ARMADIO CALDO NO TOP PORTA BATTENTE  
HOT CUPBOARD VENTIL NO TOP HING. DOORS**

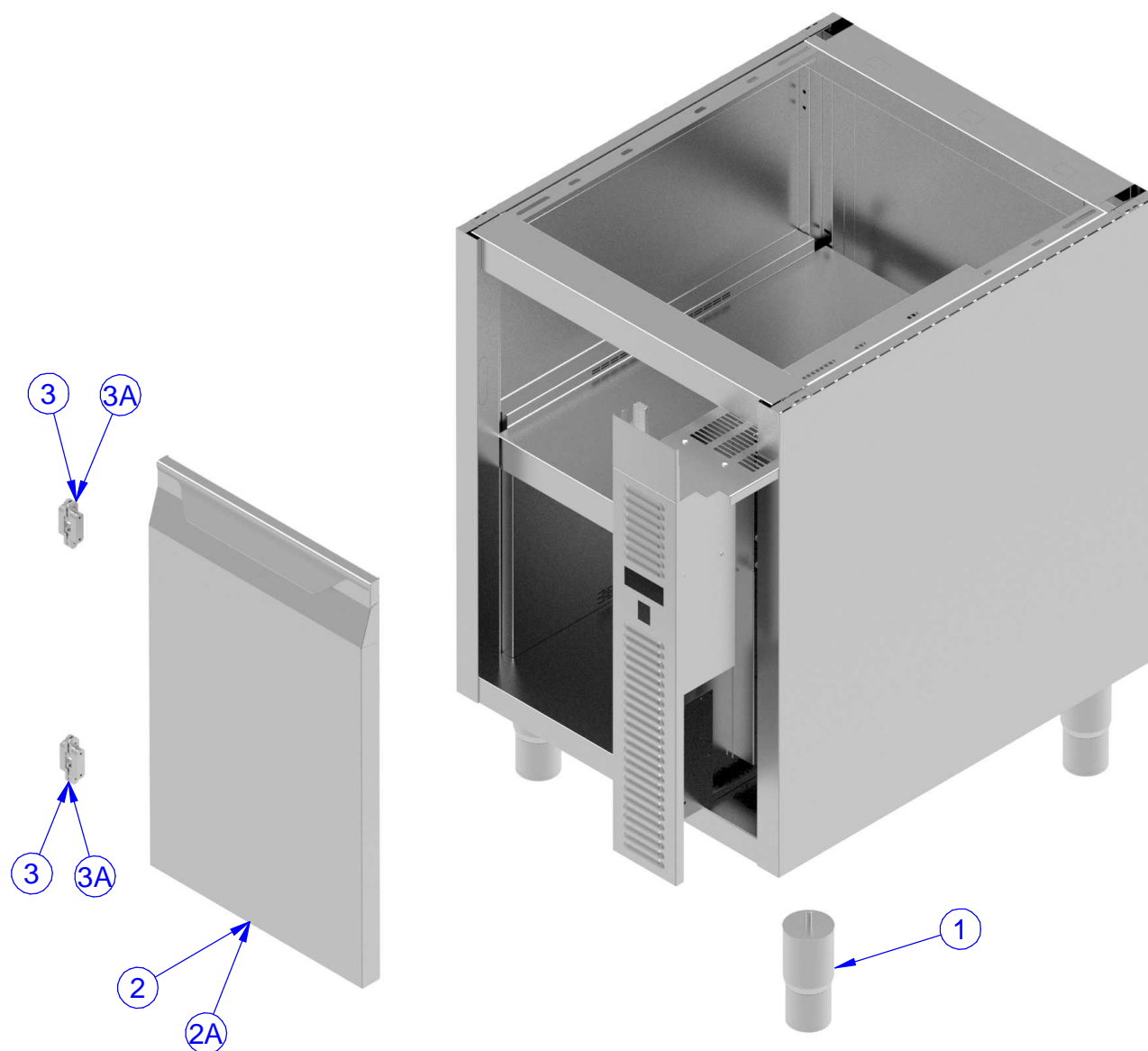
---

PNC	MODEL	L = mm	H = mm	REF	PNC	MODEL	L = mm	H = mm	REF
133187	RHC6001HD	600	900	a					

Pag.	Descrizione	Description
1	Indice	Index
2-3	Disegni	Drawings
4	Lista ricambi	Spare parts list

**Brand / Marchio:** STD

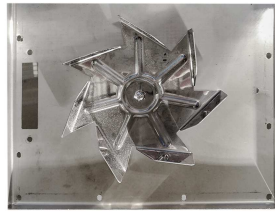
TAVOLO ARMADIO CALDO NO TOP PORTA BATTENTE  
HOT CUPBOARD VENTIL NO TOP HING. DOORS



**TAVOLO ARMADIO CALDO NO TOP PORTA BATTENTE**  
**HOT CUPBOARD VENTIL NO TOP HING. DOORS**



**6**



**7**

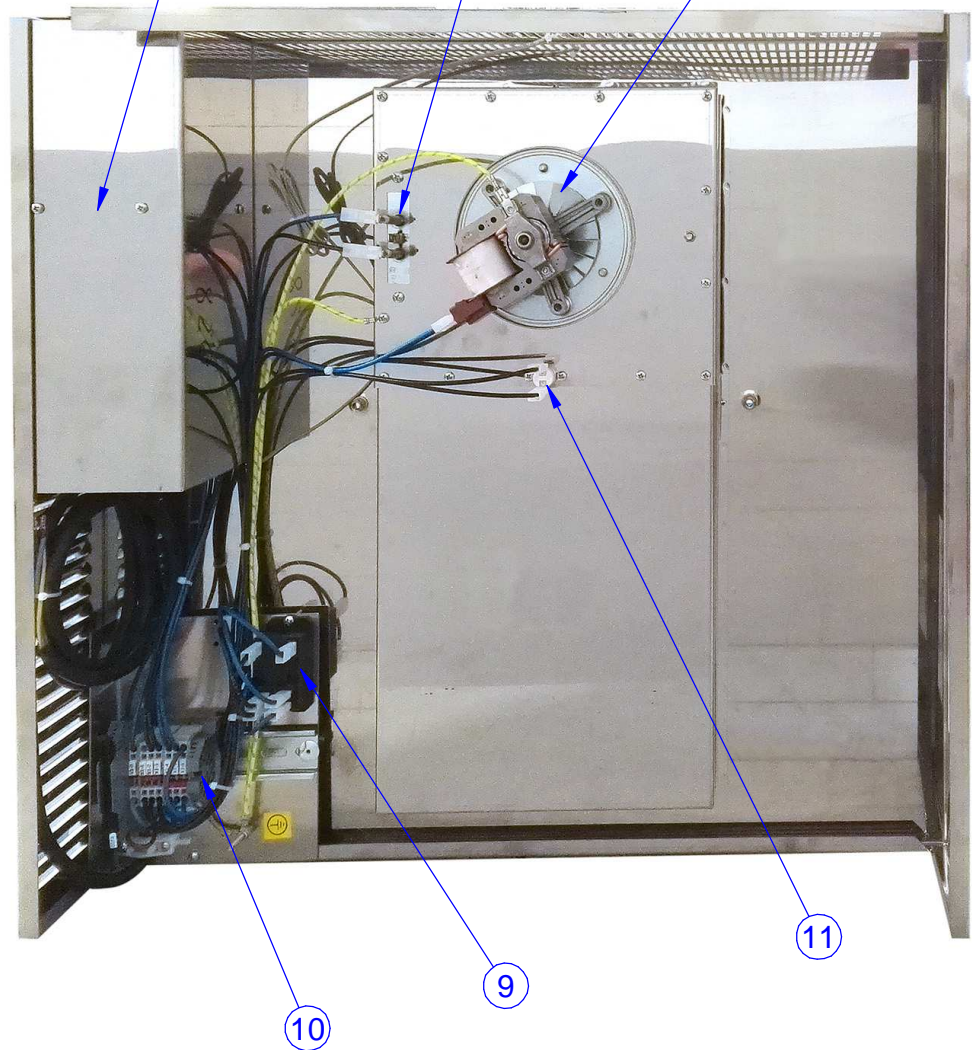


**8**



**4**

**5**



**6**

**8**

**7**

**10**

**9**

**11**

**TAVOLO ARMADIO CALDO NO TOP PORTA BATTENTE  
HOT CUPBOARD VENTIL NO TOP HING. DOORS**

POS	( x ) Valido dal Seriale 908xxx To be used from S/N 908xxx	COD	DESCRIZIONE	DESCRIPTION	Alias code	NOTES/REF.
1		0PEA92	Piede regolabile	Piede regolabile	254000203	a
2		0PEA55			21400A393	
2A	x		Porta Battente SX 600 Caldo	Left hot cupb. hing. door 600	2140AA393	a
3		0PE944	Cerniera porta battente	Cerniera porta battente	254000204	
3A	x		Cerniera porta battente ATK	Cerniera porta battente ATK	254000252	a
4		0PEB31	Digital Thermostat (EV3B21N7+SONDA (EVTPN615F200))	Digital Thermostat (EV3B21N7+SONDA (EVTPN615F200))	256700003	a
5		0PEB32	Bipolar sw itch (4107150)	Bipolar switch (4107150)	256700002	a
6		0PEB33	Fan 95x95 230VAC (45109624)	Fan 95x95 230VAC (45109624)	256700008	a
7		0PEB34	Fan 230VAC (8077C)	Fan 230VAC (8077C)	256700006	a
8		0PE951	Heather 2400W (6109157)	Heather 2400W (6109157)	256700005	a
9		0PE749	Relay electromagnetic (T92P7A22-240)	Relay electromagnetic (T92P7A22-240)	256700004	a
10		0PE747	Fuses 6.3x32 15A (305015)	Fuses 6.3x32 15A (305015)	256700001	a
11		0PEB55	Safety thermostat	Safety thermostat	256700007	a